

ROOF TROLLEY MACHINES

Danway Roof Trolley Solution is capable of servicing a wide variety of buildings irrespective of design or height, thus allowing easy and complete facade access for high as well as low-rise buildings. The trolleys come with standard integrated safety devices and have a range of options to suit their intended applications. The unique system design eliminates the need for assembly and disassembly at the roof level. Furthermore, the trolleys and platforms have high load capacities that makes them as versatile as they are unique.



FA4000 Series - Trolley machine
with Guide Rail



FA3000 Series - Trackless Trolley



FA4200 Series - Parapet Trolley machine
on Twin Tracks



FA4100 Series - Trolley machine
on Twin Tracks



FA755 Series - Trolley machine
on Twin Tracks



FA752 Series - Trolley machine
on Twin Tracks



Concrete Runway



Tracks on Steel Structure



Elevated Up stands Structure

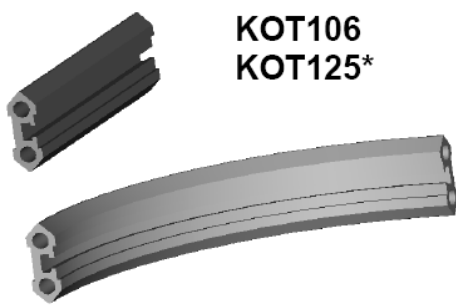


Tracks on Elevated Up stands

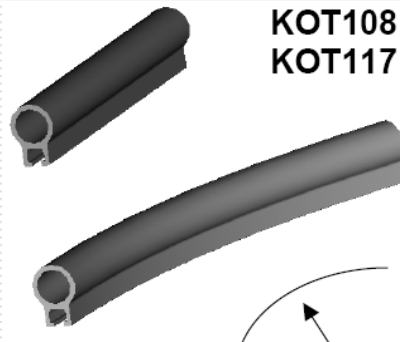
MONORAIL

Danway Access Systems caters to monorail systems that are used to access difficult-to-reach or otherwise inaccessible exterior or interior glass areas. Monorail systems can be roof-mounted or wall-mounted to suit their intended applications.

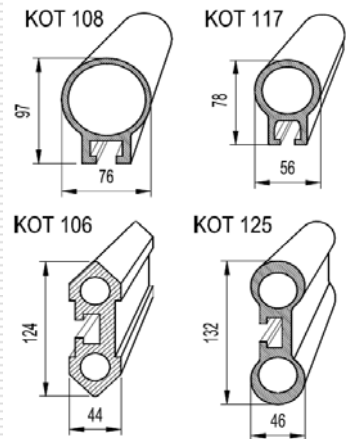
Monorail systems are ideal for the underside of building overhangs, sloped glazing, skylights, all types of atrium glass, domes, and similar applications wherever continuous horizontal movement is required.



**KOT106
KOT125***



**KOT108
KOT117**



Manual Bogeys – HA 600

Trolley HA 600 – is manually operated. The trolley will slide easily in the direction it is pushed. Each trolley is equipped with operating brake which can be used to hold the trolley in the operators desired working position

Electric Trolley type HAEL 600 – is equipped with an electric motor. The rollers are made from stainless steel and aluminium. The traverse trolley is retained on the track by a safety claw which prevents it from derailing.



Electrical Bogeys – HAEL 600

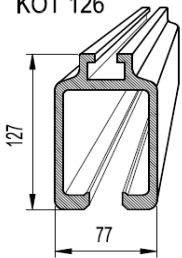


Electrical Climbing Bogeys

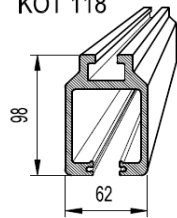
The interlft is a unique type of monorail system with the ability to climb on a special track, even vertically. – KOT106 with Climbing Trolley

INVERTED MONORAIL & SLIDING LADDER

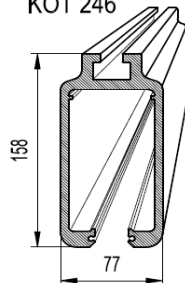
KOT 126



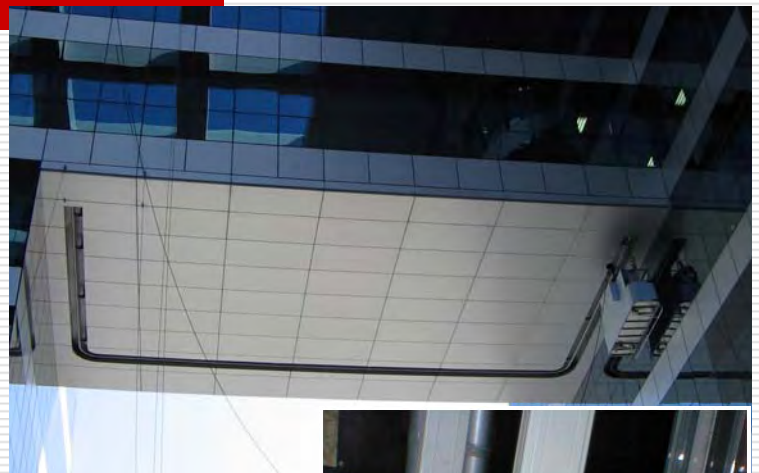
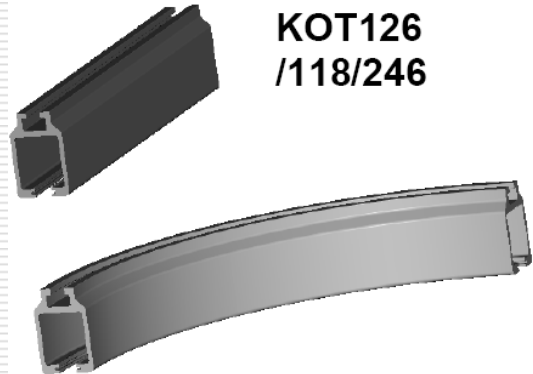
KOT 118



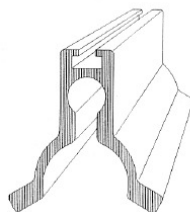
KOT 246



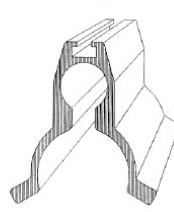
**KOT126
/118/246**



KOT 129



KOT 130





DAVITS

The Danway powered platforms and portable davits are the most popular solution for exterior building access. They are designed for low to mid-rise buildings and consist of two piece assemblies for easy handling and transportation. The davit masts come complete with wheels for movement between the fixed davit bases and may be lowered out of sight when not in use. Options for portable davit bases as well as flush-mounted bases are provided by Danway Access Systems and Cranes Division in order to meet the end user needs no matter what they are.



Roof Mounted Davits



Parapet Mounted Davits



CRADLES

The cradles, as well as the systems as a whole, are safe and reliable at any height. They are also cost effective, flexible yet stable at any position or height, and display the highest standards in quality, delivery and service, thus making the Danway Access Systems and Cranes solution a Total Access Solution. The cradles are built with winches from Tirak, Secalt.

